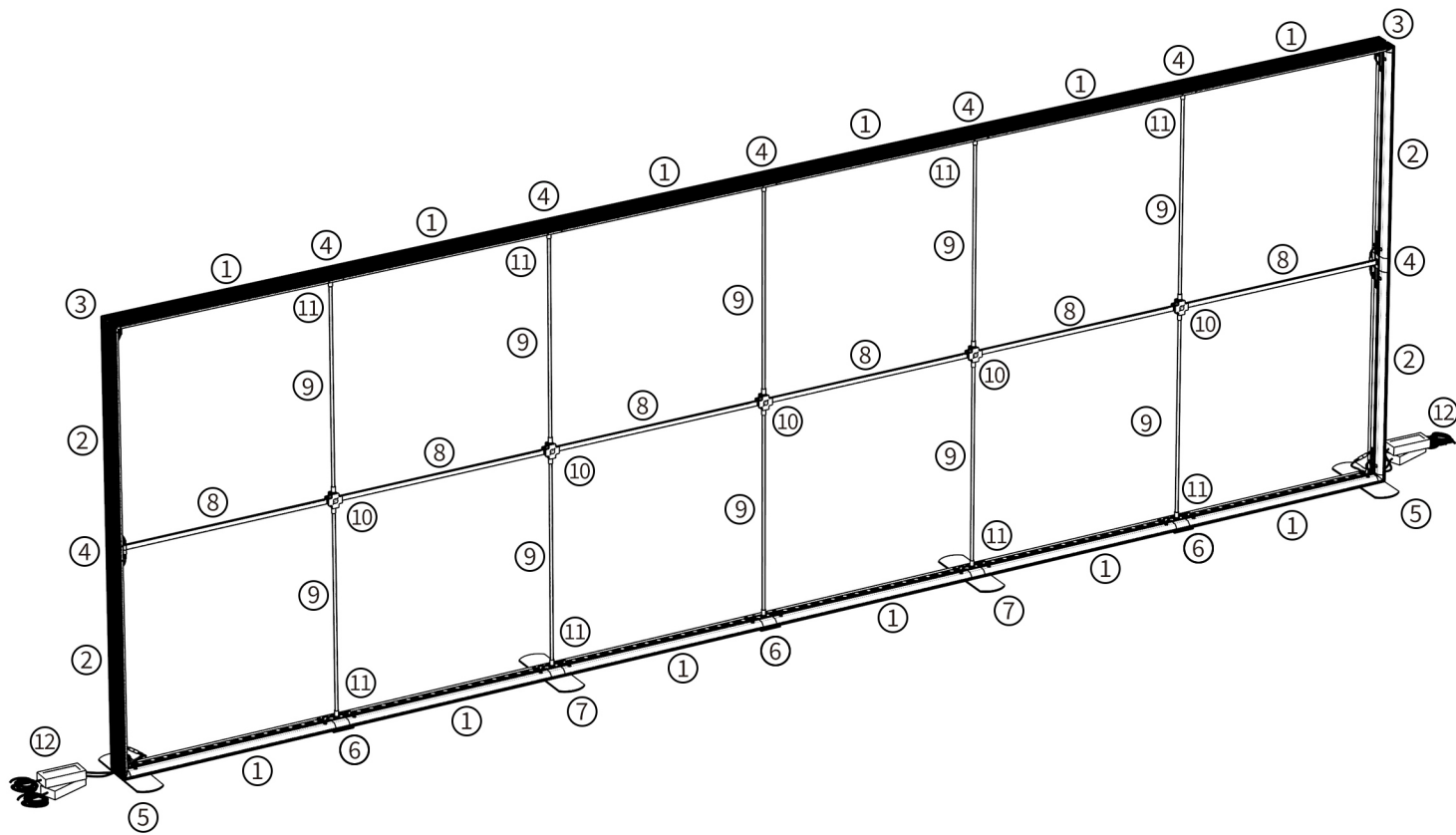
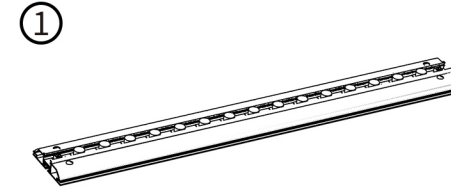


Caution : One power supply
can only drive 3pcs LED light strip most

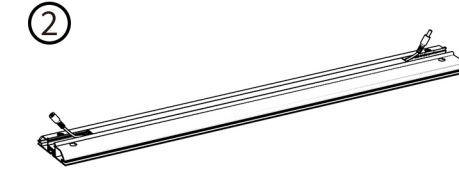
5500/5850/6000X1500(1000+500)
 5500/5850/6000X2000(1000+1000)
 5500/5850/6000X2250(1250+1000)
 5500/5850/6000X2500(1250+1250)



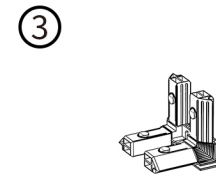
ELECTRIC
CIRCUIT LAYOUT



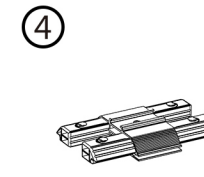
Horizontal Profile x 12



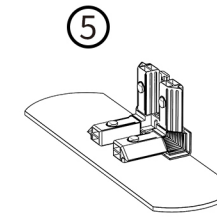
Extrusion for female & male connecting wire x 4



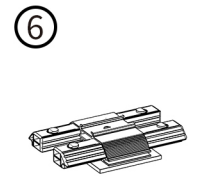
Corner Part x 2



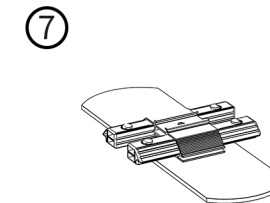
Connector Part x 7



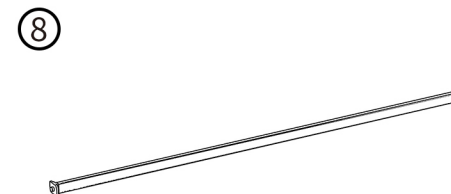
Base Foot x 2



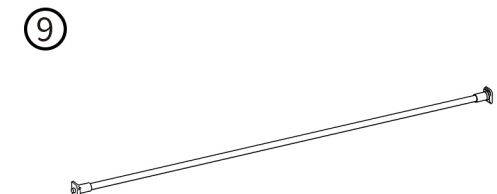
Base Foot x 3
Using For Big Size



Base Foot x 2
Using For Big Size



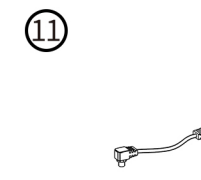
Support Pole x 6



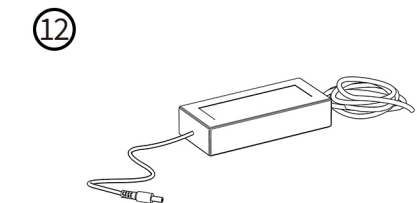
Round Shape Support Pole x 10



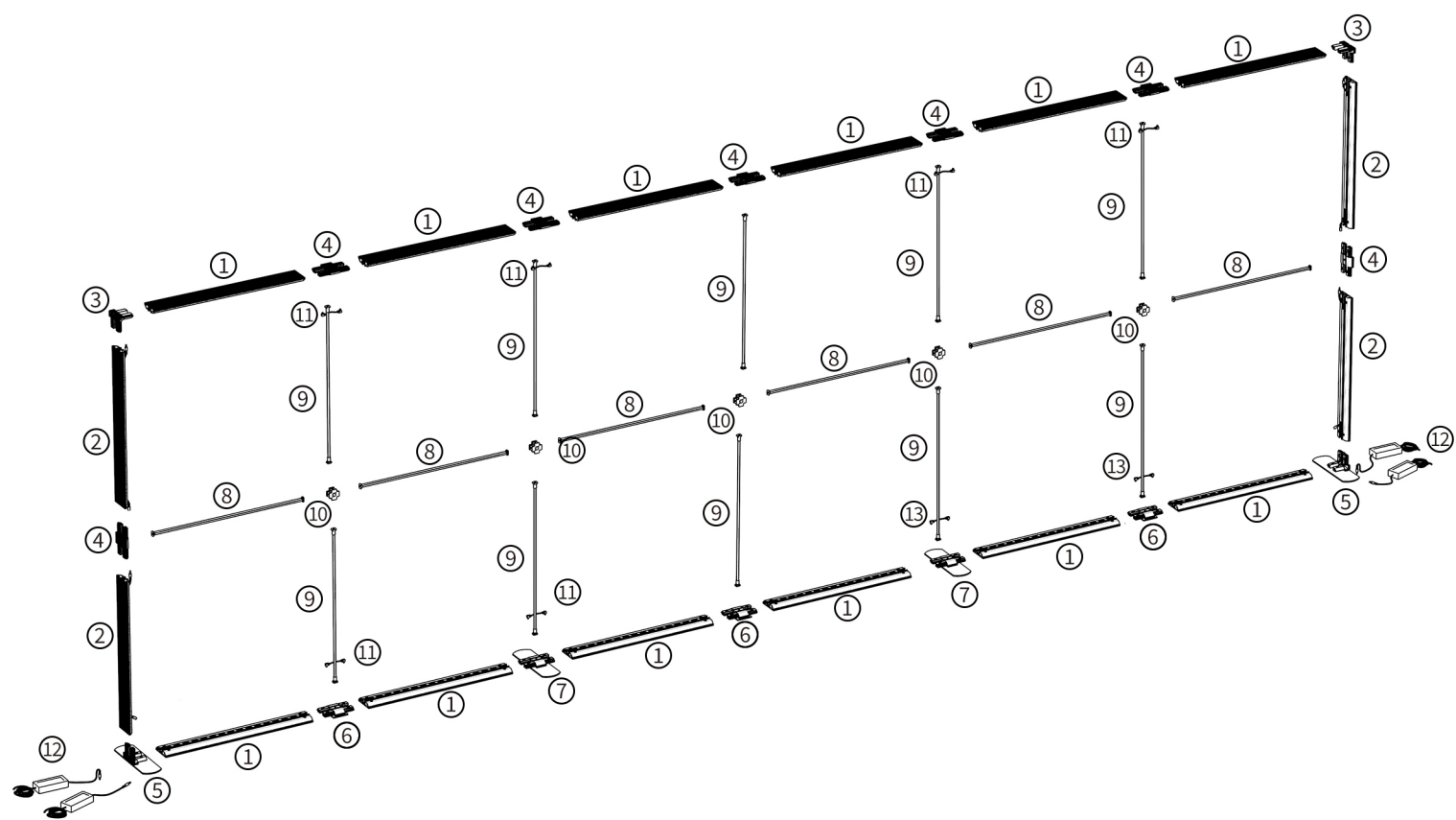
Cross Part x 5



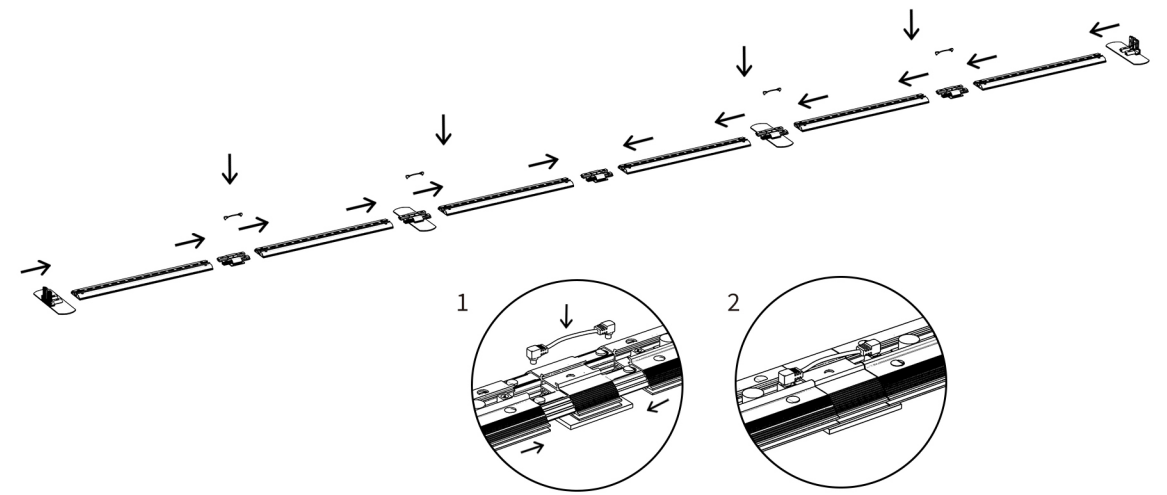
Double Male Connecting Wire x 8



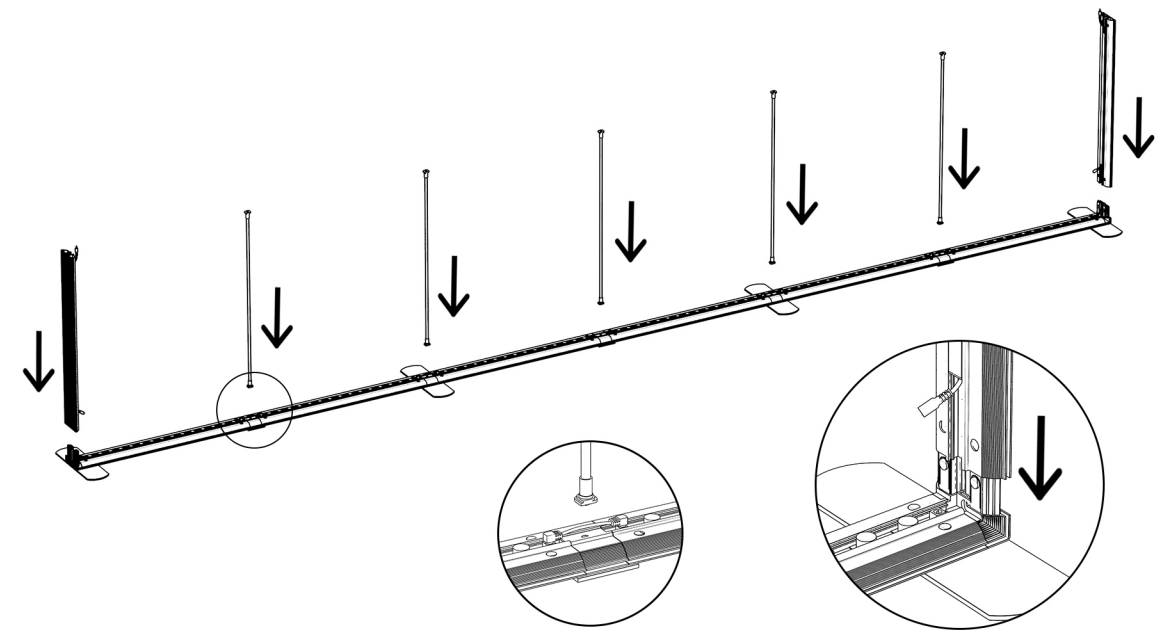
Power Supply x 4



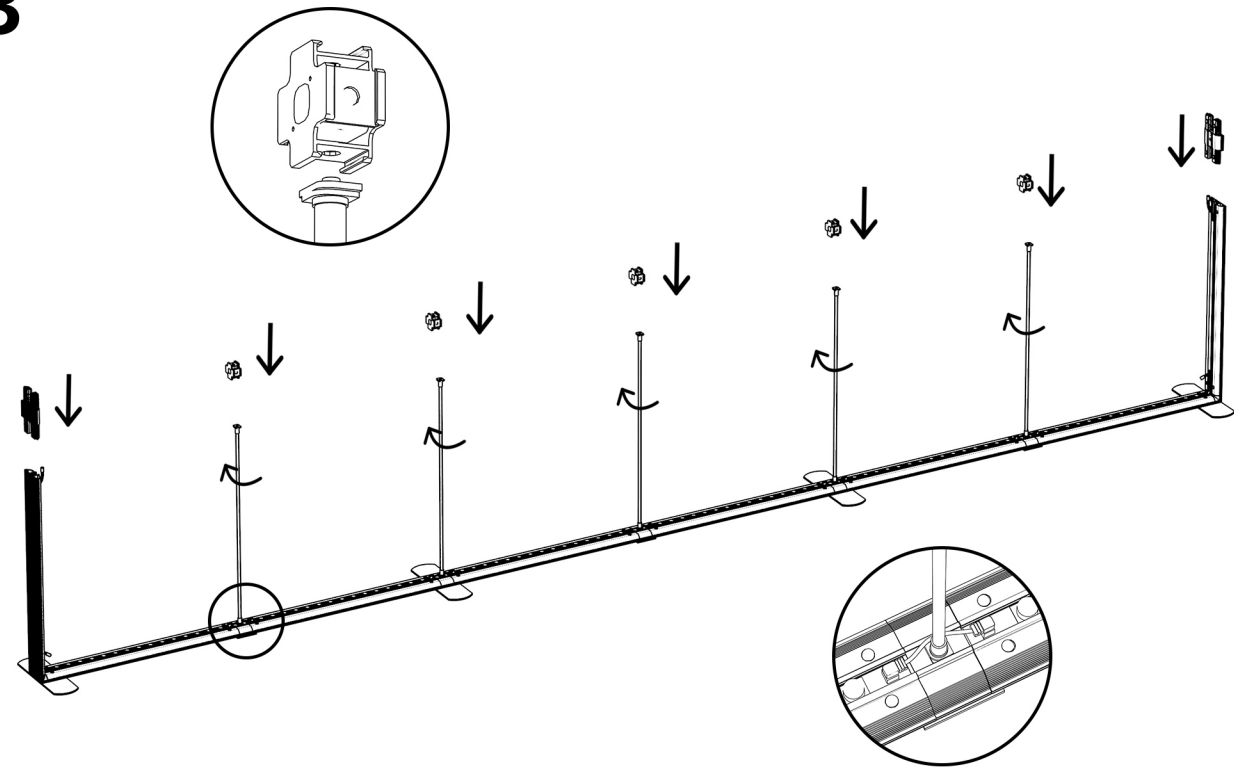
1



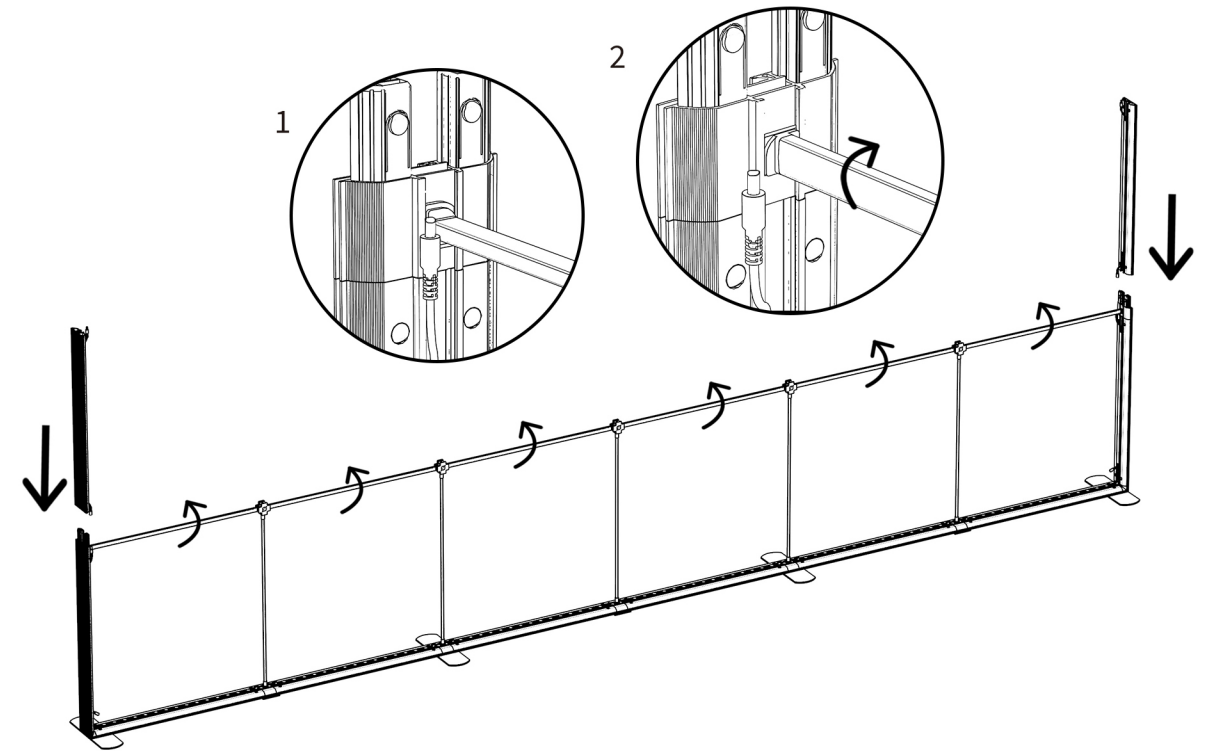
2



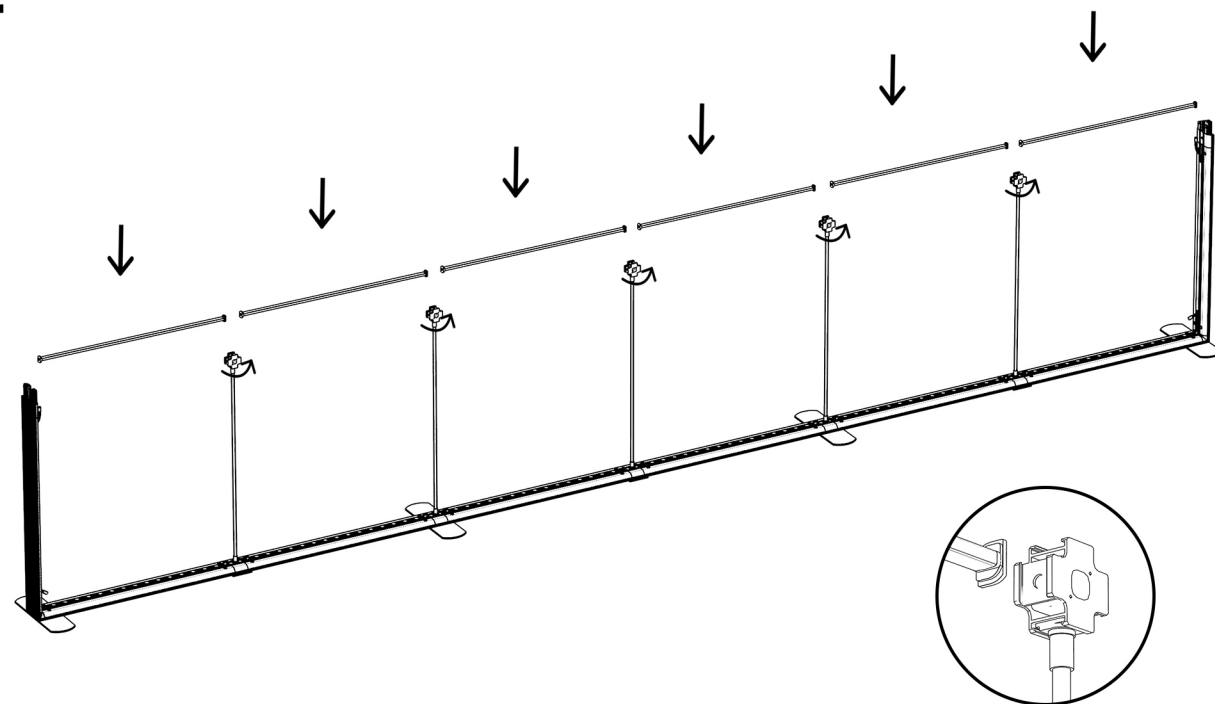
3



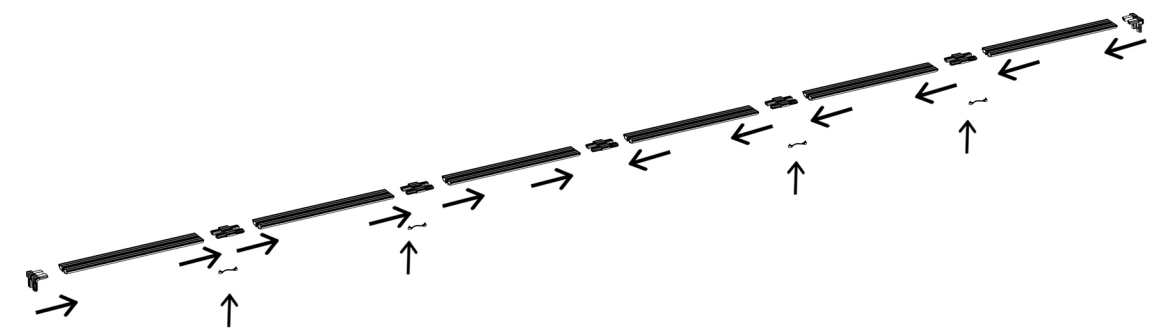
5



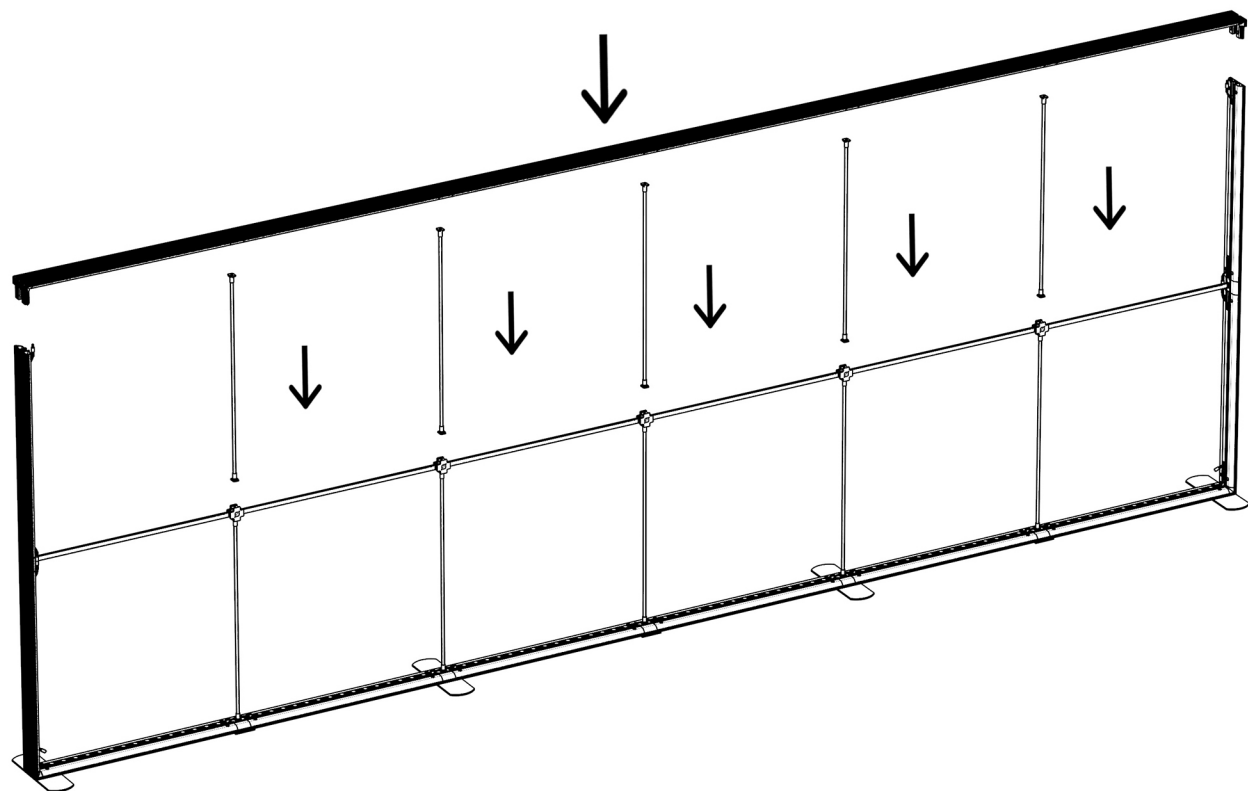
4



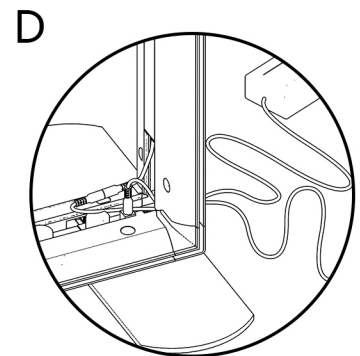
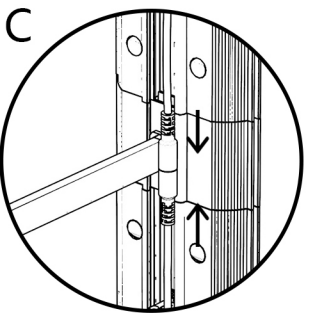
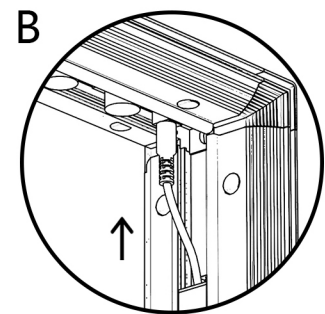
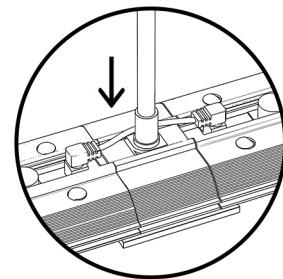
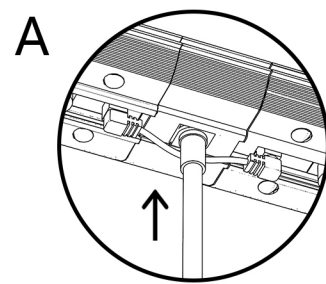
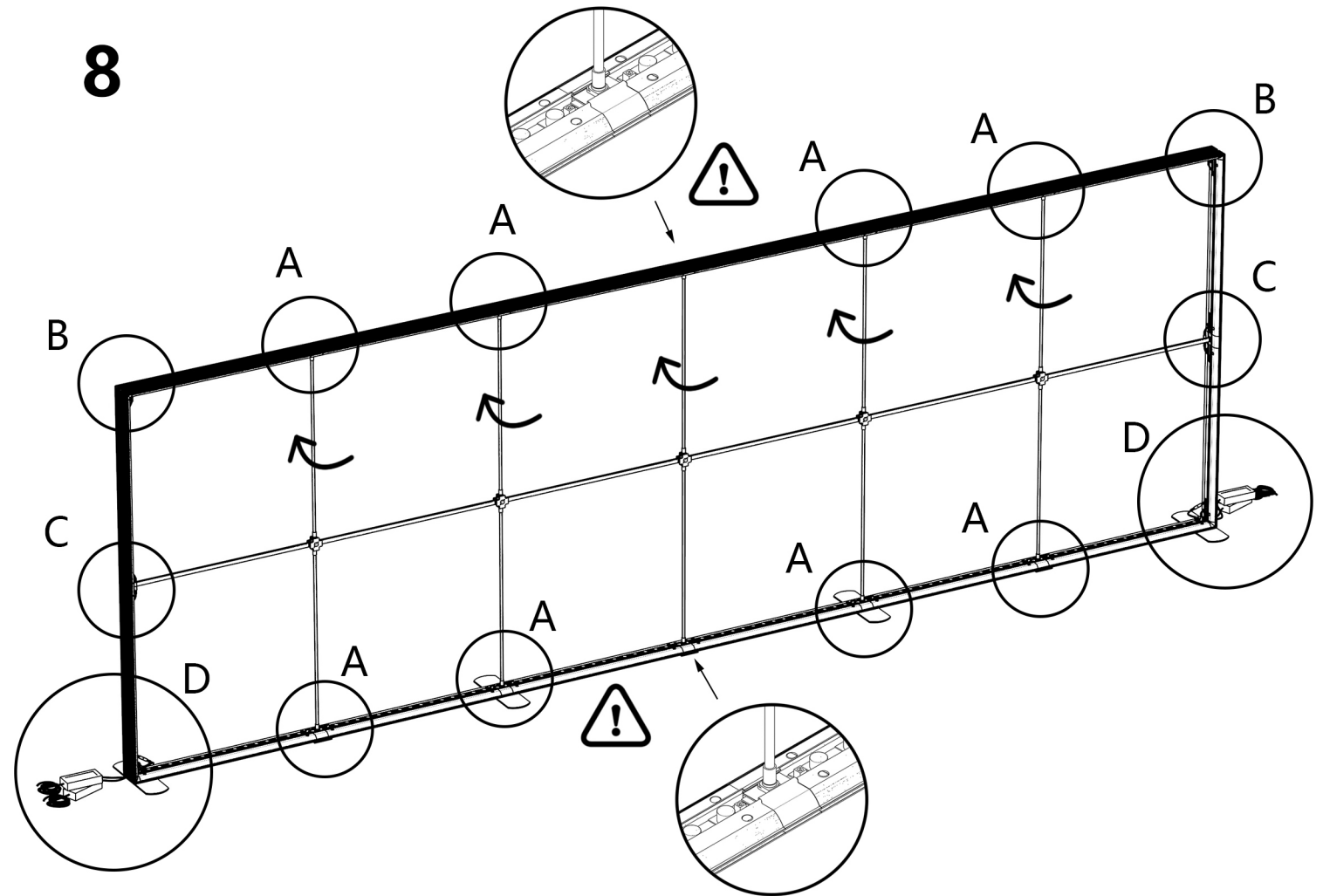
6



7



8



5500/5850/6000X2500(1000+1000+500)

